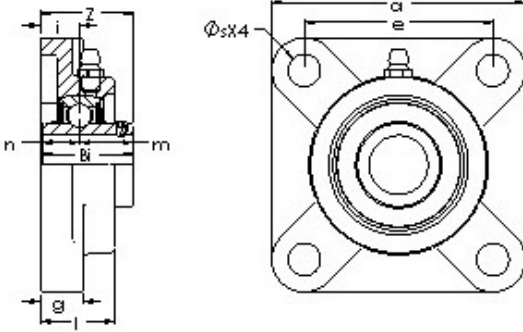




TAIWAY Industry CO.,LTD.



AST UCF 205-14E bearing units

Bearing No. UCF 205-14E

Bore Diameter	22,225 mm
Bearing Type	Cast iron housing
Dynamic Load Rating (Cr)	3,152
Static Load Rating (Cor)	1,763
Shaft Dia. (Fw)	0.8750
Mounting Hole Center-to-Center (e)	2.7500
Housing Length (a)	3.7500
Housing Base Thickness (g)	0.5000
Bearing Inner Race Width (Bi)	1.3390
Bearing Inner Race Width - Short Side (n)	0.5630
Bearing Inner Race Width - Extended Side (m)	0.7756
Mounting Bolt Size	0.3750
Bearing Number - UC 205-14	UC 20514
Housing Number	F 205E
Mounting Hole Dia. (s)	0.4531
Flange Assembly Height (Z)	1.4060
Flange Height (l)	1.0630
Mounting Base to Bearing Center (i)	0.6250
Weight (g)	861.82
Material	Cast iron housing, chrome steel bearing

UCF 205-14E Bearing 2D drawings and 3D CAD models